

**MAX-8**

V2107.01



# MAX-8

Excellent Performances & Reliability

## CPCD50-100T8

T8 Diesel Forklift 5.0/6.0/7.0/8.0/10.0t

EP EQUIPMENT CO.,LTD  
[www.ep-ep.com](http://www.ep-ep.com)



# CPCD50/60/70T8

T8 series 5.0-7.0t forklift specification:-

General		EP											
1	Manufacture	CPCD50T8	CPCD60T8	CPCD70T8	CPCD50T8	CPCD60T8	CPCD70T8	CPCD50T8	CPCD60T8	CPCD70T8	CPCD50T8	CPCD60T8	CPCD70T8
2	Model												
3	Power type												
4	Rated capacity	Kg	5000	6000	7000	5000	6000	7000	5000	6000	7000	5000	6000
5	Load center	mm											
6	Lift height	mm											
7	Free lift height	mm											
8	Fork size	L×W×T											
9	Mast tilt range	F/R											
10	Fork overhang(wheel center to fork face)	mm											
11	Rear overhang	mm	700	810	770	700	770	770	700	770	770	700	770
12	Length to face of fork	mm	3480	3590	3590	3480	3590	3590	3480	3590	3590	3480	3590
13	Overall width	mm											
14	Mast lowered height	mm											
15	Mast extended height	mm											
16	Overhead guard height	mm											
17	Turning radius(outside)	mm	3330	3480	3480	3330	3480	3480	3330	3480	3480	3330	3480
18	Minimum rectangular aisle width.	mm	4068	4218	4218	4068	4218	4218	4068	4218	4218	4068	4218
19	Travel (No load)	Km/h											
21	Speed	mm/sec	500/380	500/340	500/330	500/380	500/340	500/330	500/380	500/340	500/330	500/380	500/380
22	Max.Drawbar Pull (Full load)	N	42000	42000	52000	42000	42000	52000	42000	42000	52000	42000	52000
23	Max.Gradeability (Full load)	%											
24	Tyres	mm											
25	Front	mm											
26	Rear	mm											
27	Font	mm											
28	Rear	mm											
29	Wheelbase	mm											
30	Mast (No/Full load)	mm											
31	Ground clearance	mm											
32	Self weight	Kg	8000	8650	9050	8000	8650	9050	8000	8650	9050	8000	8650
33	Full load	kg	10660	12452	13642	10660	12452	13642	10660	12452	13642	10660	12452
34	Rear	kg	2340	2198	2028	2340	2198	2028	2340	2198	2028	2340	2198
35	Front	kg	2800	3028	3168	2800	3028	3168	2800	3028	3168	2800	3028
36	Rear	kg	5200	5622	5882	5200	5622	5882	5200	5622	5882	5200	5622
37	Battery	V/AH											
38	Modal		S6S-T			QSF3-8				6BG332			6BG1
39	Manufacture		Mitsubishi			Cummins				CY			ISUZU
40	Rated output/r.p.m	kw	63.9/2300			86/2200				85/2200			82.3/2000
41	Engine	N.m	285/1700			470/1320				450/1400-1800			416/1400-1600
42	No. of cylinder		6			4				6			6
43	Bore×Stroke	mm	94*120			102*115				102*118			105/125
44	Displacement	cc	4996			3757				5785			6494
45	Fuel tank capacity	L	140			140				140			140
46	Transmissions									OEM			
47	Type									Powershift			
48	Stage									2/2			
49	Operating pressure	Mpa								19			

1.Special lifting height available for further information please contact us. 2.Attachment available.  
 3.The specification in the table are for standard models only. For further information please contact us. 4.Specification are subject to change without notice.

# CPCD80/100T8

T8 series 8.0-10.0t forklift specification:

General		CPCD80T8	CPCD100T8	CPCD80T8	CPCD100T8	CPCD80T8	CPCD100T8
1	Manufacture						EP
2	Model						
3	Power type						Diesel
4	Rated capacity	8000	10000	8000	10000	8000	10000
5	Load center						600
6	Lift height						3000
7	Free lift height						200
8	Fork size	1520×160×75	1520×160×80	1520×160×75	1520×160×80	1520×160×75	1520×160×80
9	Mast tilt range						6/12
10	Fork overhang(wheel center to fork face)						728
11	Rear overhang	680	700	680	700	680	700
12	Length to face of fork	3950	4250	3950	4250	3950	4250
13	Overall width						2245
14	Mast lowered height						2850
15	Mast extended height						4420
16	Overhead guard height						2560
17	Turning radius(outside)	3700	4050	3700	4050	3700	4050
18	Minimum rectangular aisle width.	4580	4950	4580	4950	4580	4950
19	Speed						25
20	Travel (No load)						
21	Lifting (Full load)	480/350	390/340	480/350	390/340	480/350	390/340
22	Max.Drawbar Pull (Full load)	58000	61000	58000	61000	58000	61000
23	Max.Gradeability (Full load)						20
24	Tyres						4x900-20-14PR
25	Front						2x900-20-14PR
26	Rear						1600
27	Tread						1700
28	Wheelbase	2500	2800	2500	2800	2500	2800
29	Ground clearance						240/190
30	Mast (No/Full load)						350/340
31	Self weight	11050	12900	11050	12900	11050	12900
32	Full load	17200	20900	17200	20900	17200	20900
33	Weight	1850	1960	1850	1960	1850	1960
34	Distribution	4900	6260	4900	6260	4900	6260
35	No load	6150	6640	6150	6640	6150	6640
36	Battery						24/80
37	Modal	6BG332					QSF3-8
38	Manufacture	CHAO CHAI					Cummins
39	Rated output/r.p.m	85/2200					86/2200
40	Rated torque/r.p.m	450/1400-1800					470/1320
41	Engine						4
42	No of cylinder	6					6
43	Bore×Stroke	102×118					102×115
44	Displacement	5785					3757
45	Fuel tank capacity	160					160
46	Manufacture						OEM
47	Type						Powershift
48	Operating pressure						2/2
							20.5

1.Special lifting height available for further information please contact us. 2.Attachment available.

3.The specification in the table are for standard models only. For further information please contact us.

4.Specification are subject to change without notice.

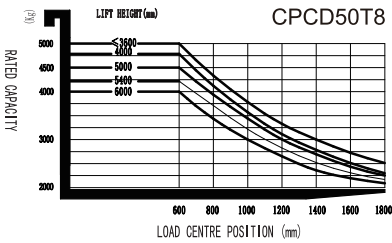
**5.0/6.0/7.0t T8 series mast: (pneumatic)**

Type	Model	Max. fork height	Overall height				Free lift		Front Overhang	Tilt range		Capacity		
			Lowered	Extended		Without backrest	With backrest	FWD		BWD	Load capacity at 600 mm			
				Without backrest	With backrest						5.0t	6.0t	7.0t	
			mm	mm	mm	mm	mm	mm		mm	Deg	Deg	kg	kg
Wide view mast	2W300	3000	2510	4000	4430	130	130	635	6	12	5000	6000	7000	
	2W330	3300	2660	4200	4730	130	130	635	6	12				
	2W350	3500	2760	4500	4930	130	130	635	6	12				
	2W400	4000	3020	5000	5430	130	130	635	6	12				
	2W450	4500	3310	5500	5930	130	130	635	6	6				
	2W500	5000	3560	6000	6430	130	130	635	6	6				
Wide view full 2-stage mast	2F300	3000	2460	4000	4430	1545	1090	635	6	12	5000	6000	—	
	2F330	3300	2610	4300	4730	1695	1240	635	6	12				
	2F350	3500	2710	4500	4930	1795	1340	635	6	12				
	2F400	4000	3010	5000	5430	2095	1640	635	6	12				
Wide view full 3-stage mast	3F450	4500	2650	5070	5750	1740	1285	680	6	6	4500	5500	6500	
	3F480	4800	2765	5375	6050	1845	1390	680	6	6				
	3F500	5000	2830	5575	6250	1910	1455	680	3	6				
	3F540	5400	2965	6150	6830	2045	1590	680	3	6				
	3F600	6000	3165	6570	7250	2245	1790	680	3	6				

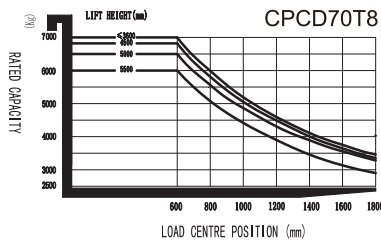
**8.0/10.0t T8 series mast: (pneumatic)**

Type	Model	Max. fork height	Overall height				Free lift		Front Overhang		Tilt range		Capacity	
			Lowered	Extended		Without backrest	With backrest	8.0t	10.0t	FWD	BWD	Load capacity at 600 mm		
				Without backrest	With backrest							8.0t	10.0t	
			mm	mm	mm	mm	mm	mm	mm	Deg	Deg	kg	kg	
Wide view mast	2W300	3130	2920	4310	210	210	728	728	6	12	8000	10000		
	2W330	3430	3070	4610	210	210	728	728	6	12				
	2W350	3630	3170	4810	210	210	728	728	6	12				
	2W400	4130	3470	5310	210	210	728	728	6	12				
	2W450	4630	3720	5810	210	210	728	728	6	12				
	2W500	5130	3970	6310	210	210	728	728	6	6				
Wide view full 3-stage mast	3F450	4530	2900	5875	1580	1580	768	768	6	6	7200	7800		
	3F480	4830	3000	6175	1680	1680	768	768	6	6	7000	7650		
	3F500	5030	3065	6375	1745	1745	768	768	6	6	6300	7500		
	3F550	5530	3255	6775	1935	1935	768	768	3	6	6500	7200		
	3F600	6030	3455	7375	2135	2135	768	768	3	6	6000	6000		

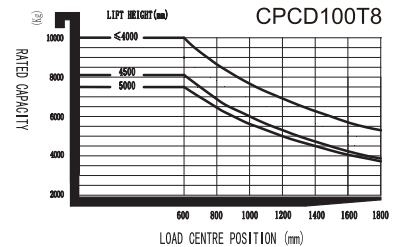
RATED CAPACITIES AND LOAD CENTERS GRAPH



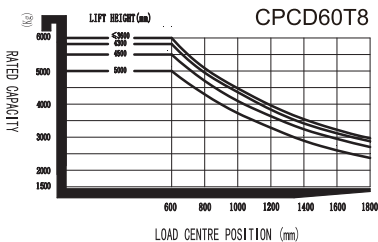
RATED CAPACITIES AND LOAD CENTERS GRAPH



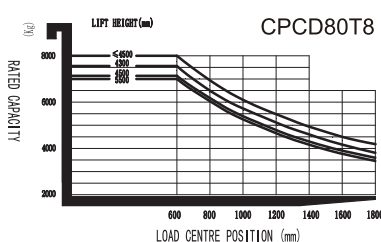
RATED CAPACITIES AND LOAD CENTERS GRAPH



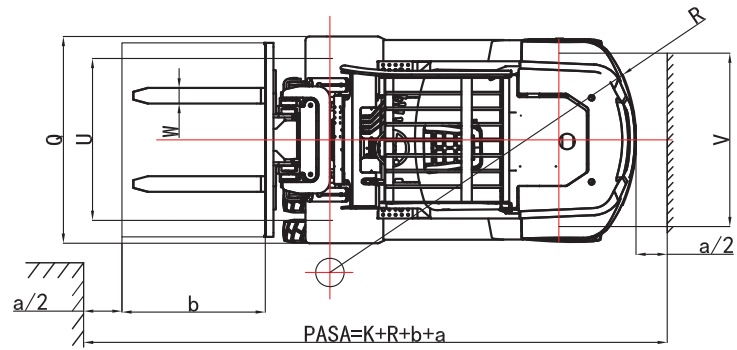
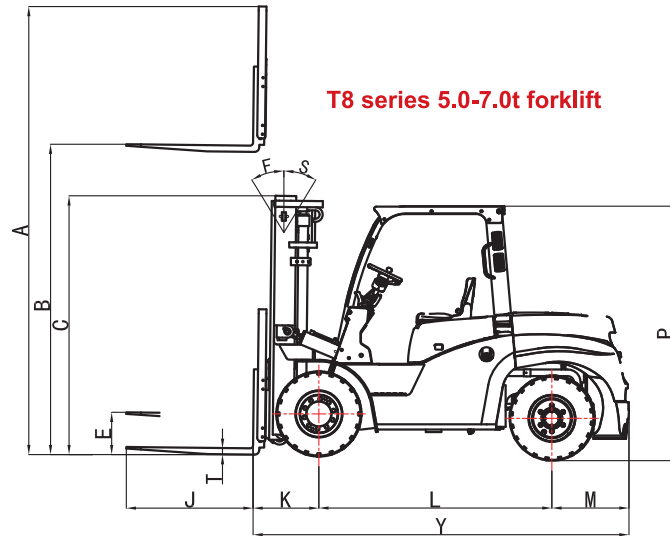
RATED CAPACITIES AND LOAD CENTERS GRAPH



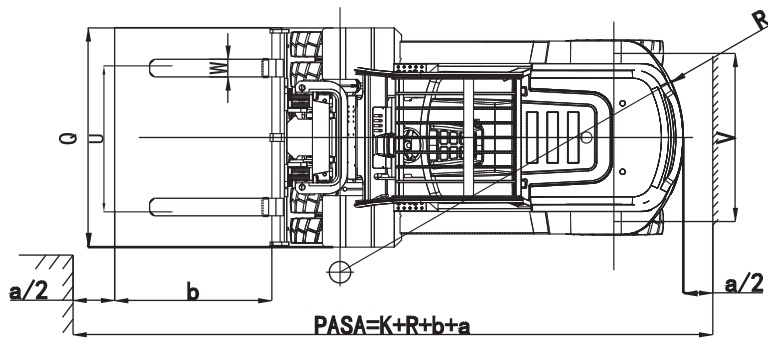
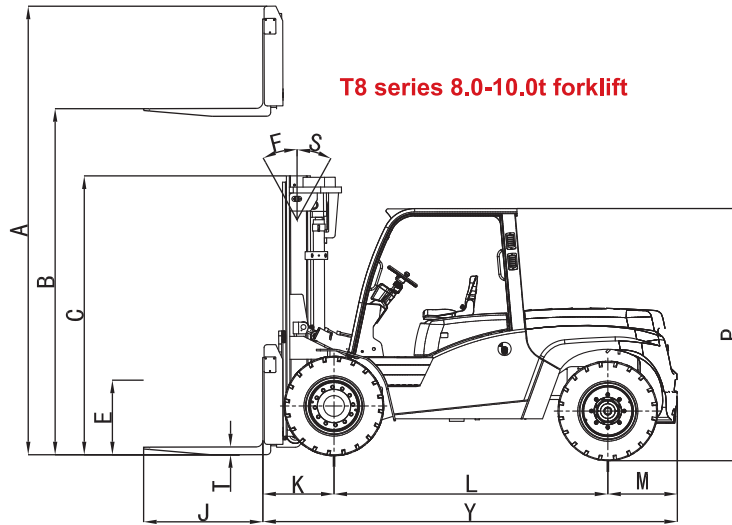
RATED CAPACITIES AND LOAD CENTERS GRAPH



**T8 series 5.0-7.0t forklift**



**T8 series 8.0-10.0t forklift**



# Option

Options	CPCD50T8	CPCD60T8	CPCD70T8	CPCD80T8	CPCD100T8
1 Other dimension forks	○	○	○	○	○
2 Fork Extension	○	○	○	○	○
3 Folding fork	○	○	○	○	○
4 Fork positioner	○	○	○	○	○
5 Imported engine	○	○	○	○	○
6 High-mounted Exhaust system	○	○	○	○	○
7 Dual air cleaner	○	○	○	○	○
8 Solid tyre	○	○	○	○	○
9 No-mark tyre	○	○	○	○	○
10 Special height overhead guard	○	○	○	○	○
11 Overhead guard rainproof hood	●	●	●	●	●
12 Different lifting height masts	○	○	○	○	○
13 Attachment	○	○	○	○	○
14 Cabin	○	○	○	○	○
15 Heater	○	○	○	○	○
16 Front window with wiper	○	○	○	○	○
17 Rear window with wiper	○	○	○	○	○
18 Cabin without side doors	●	●	●	●	●
19 LED Front working light	●	●	●	●	●
20 LED rear working light	○	○	○	○	○
21 Fire extinguisher	○	○	○	○	○
22 Luxury Seat(full suspension)	○	○	○	○	○
23 Seat switch	●	●	●	●	●
24 Warning light under engine cover	○	○	○	○	○
25 Insulation mat	○	○	○	○	○
26 OPS system	○	○	○	○	○
27 Special carriage and backrest	○	○	○	○	○
28 FAN	○	○	○	○	○

Note: ● standard ○ option — NA

**T8 series 5.0-7.0t forklift**



**T8 series 8.0-10.0t forklift**

